

**OPERATION MANUAL**


---

**SPECIFICATIONS**

ITEM	SPECIFICATIONS	ITEM	SPECIFICATION
Voltage	230 Volts	Blade Size	1440 x 12.7 x 0.65mm
Motor	1010 Watts	Bow-Saw	Aluminium
Cutting Capacity 90 °	Round Bar 125mm Rectangle 130 x 125mm	Blade Speed	25 - 80 m/min
Cutting Capacity 45 °	Round Bar 76mm Rectangle 76 x 76mm	Packing	724 x 375 x 446mm
Cutting Capacity 60 °	Round Bar 50mm Rectangle 50 x 125mm	Noise	60 db Approximately

## SPARE PARTS SECTION

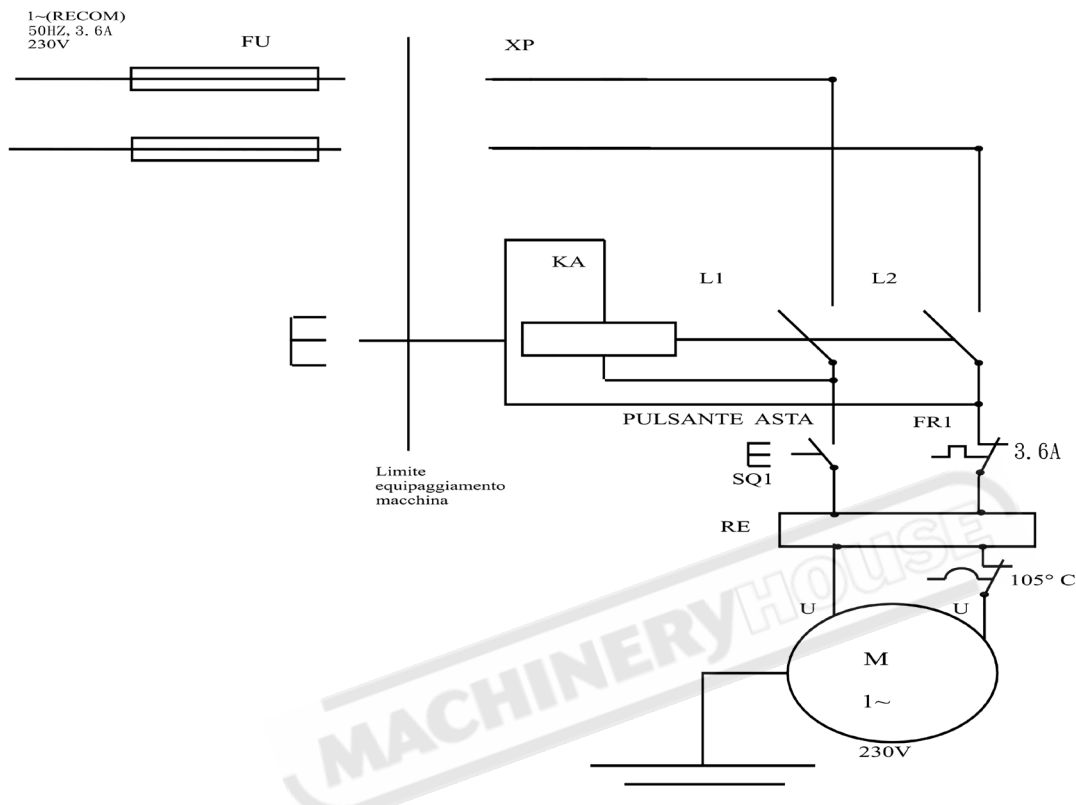
The following section covers the spare parts diagrams and lists that were current at the time this manual was originally printed. Due to continuous improvements of the machine, changes may be made at any time without notification.

### HOW TO ORDER SPARE PARTS

1. Have your machines **model number, serial number & date of manufacture** on hand, these can be found on the specification plate mounted on the machine
2. A scanned copy of your parts list/diagram with required spare part/s identified
3. Go to [www.machineryhouse.com.au/contactus](http://www.machineryhouse.com.au/contactus) and fill out the enquiry form attaching a copy of scanned parts list.

**OPERATION MANUAL**

**WIRING DIAGRAM**

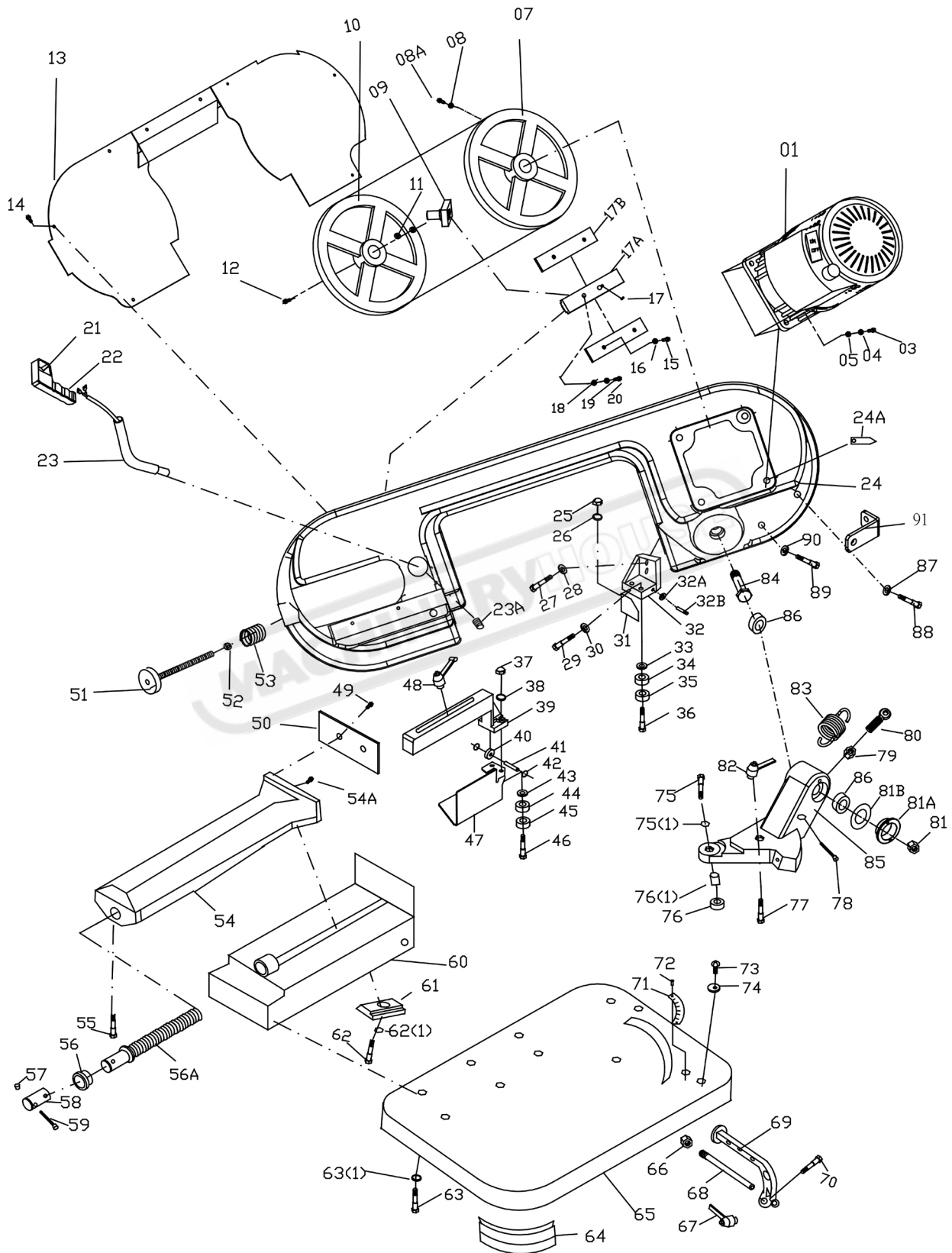


KA	Protecteur CE
SB1	Interrupteur d'arret (OFF)
SB2	Interrupteur general (ON)
XP	Cable d'alimentation
SQ1	Interrupteur marche-arret
M	Moteur 1010 W
FR1	Protecteur termique
RE	Inverter

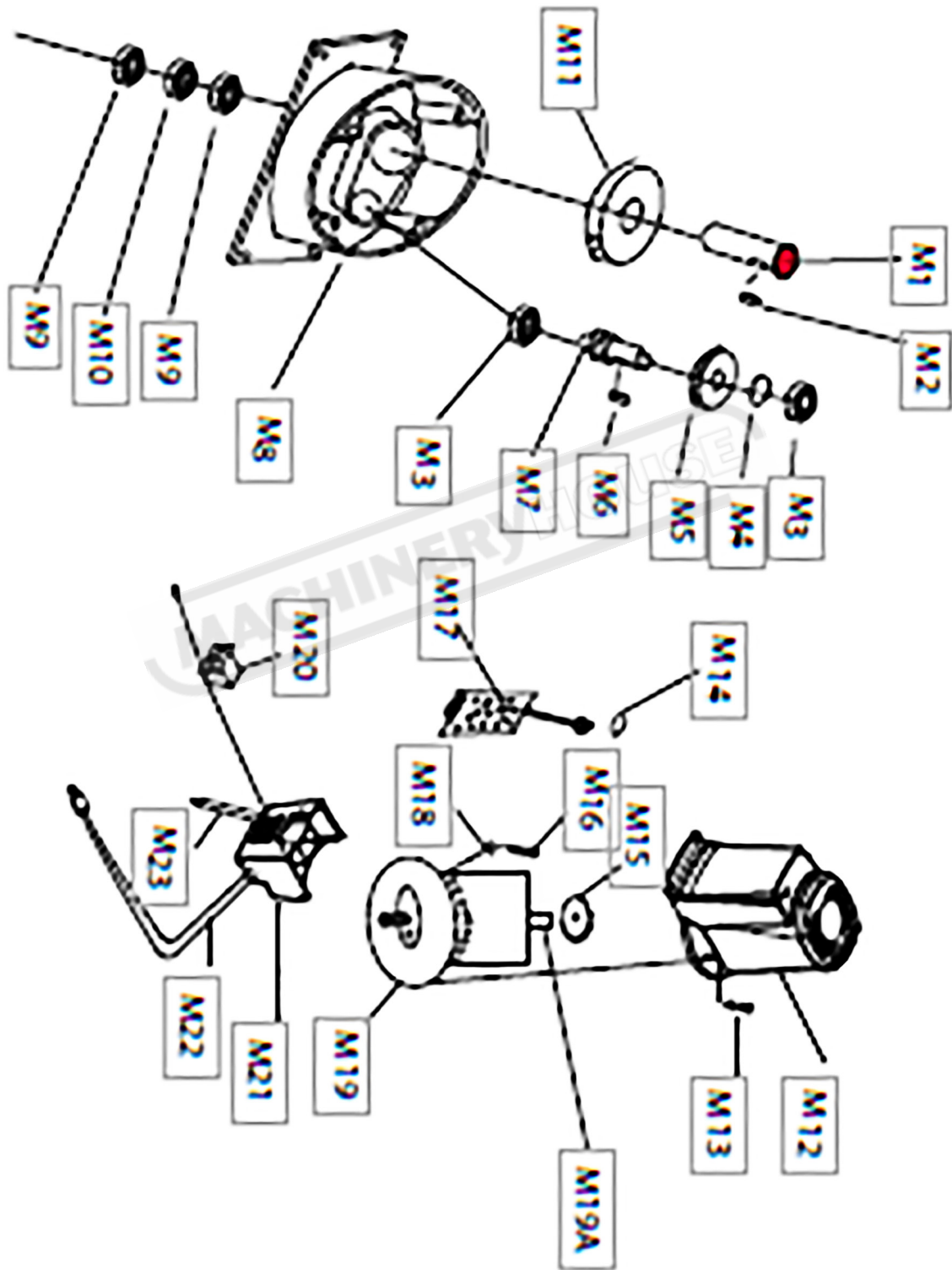


# OPERATION MANUAL

## SPARE PARTS



**SPARE PARTS Cont.**





## OPERATION MANUAL

125 parts list								
NO	Q'ty	Description	NO	Q'ty	Description	NO	Q'ty	Description
1	1	MOTOR	39	1	Arm	76(1)	1	Ring
3	4	Screw	40	2	Bearing 625	77	1	Screw
4	4	Spring washer	41	2	Pin	78	1	Locking pin
5	4	Washer	42	2	Washer	79	1	Nut
7	1	Motor flywheel	43	2	Washer	80	1	Spring holder
8	1	Washer M6	44	2	Bearing 607	81	1	Bearing nut
8A	1	Screw	45	2	Bearing 607	81A	1	Bushing
9	1	Dog pin	46	2	Bias axis	81B	1	Bearing cover
10	1	Return flywheel	47	1	L.blade guard	82	1	Bolt
11	2	Bearing 620ZZ	48	1	Bolt	83	1	Spring
12	1	Screw	49	1	Screw	84	1	Axis
13	1	Body cover	50	1	Vice plate	85	1	Miter plate
14	4	Screw	51	1	Handle wheel	86	2	Bearing
15	4	Screw	52	1	washer	87	1	washer
16	4	Washer	53	8	washer	88	1	Screw
17	1	Set screw	54	1	Vice	89	1	Screw
17A	1	Blade Tension Sliding Block	54A	1	Screw	90	1	Nut
17B	2	Slide	55	1	Screw	91	1	Spring Plate
18	4	washer	56	1	Bushing	M1	1	Main shaft
19	4	Spring washer	56A	1	Acme Screw	M2	1	Key
20	4	Screw	57	2	Knob	M3	2	Bearing
21	1	Limit switch	58	1	Shaft Bushing	M4	1	C-ring
22	1	Handle	59	1	Handle Rod	M5	1	Gear
23	1	Tube	60	1	Fence base	M6	1	Key
23A	1	Screw	61	1	Locking seat	M7	1	Gear shaft
24	1	Body frame	62	1	Screw	M8	1	Gear box
24A	4	Plate	62(1)	1	Washer	M9	2	Bearing
25	2	NUT	63	6	Screw	M10	1	Oil seal
26	2	Washer	63(1)	1	Washer	M11	1	Gear
27	2	Screw	64	4	Rubber pad	M12	1	UP cover
28	2	Washer	65	1	Base	M13	1	Screw
29	1	Screw	66	1	Nut	M14	1	Nut
30	1	Washer	67	1	Bolt	M15	1	Fan
31	1	Chip fence	68	1	Rod stock stop	M16	1	Screw
32	1	Fixed blade guide plate	69	1	Stop Bracket	M17	1	Electrical board
32A	1	Bearing 625	70	1	Screw	M18	1	Oil seal
32B	1	Pin	71	1	Scale	M19	1	Motor
33	2	Washer	72	1	Screw	M19A	1	Motor Shaft
34	2	Bearing 607	73	2	Screw	M20	1	Switch
35	2	Bearing 607	74	2	Washer	M21	1	Down cover
36	2	Bias axis	75	1	Screw	M22	1	Plug
37	2	NUT	75(1)	1	Washer	M23	1	Handel wire
38	2	Washer	76	1	Nut			